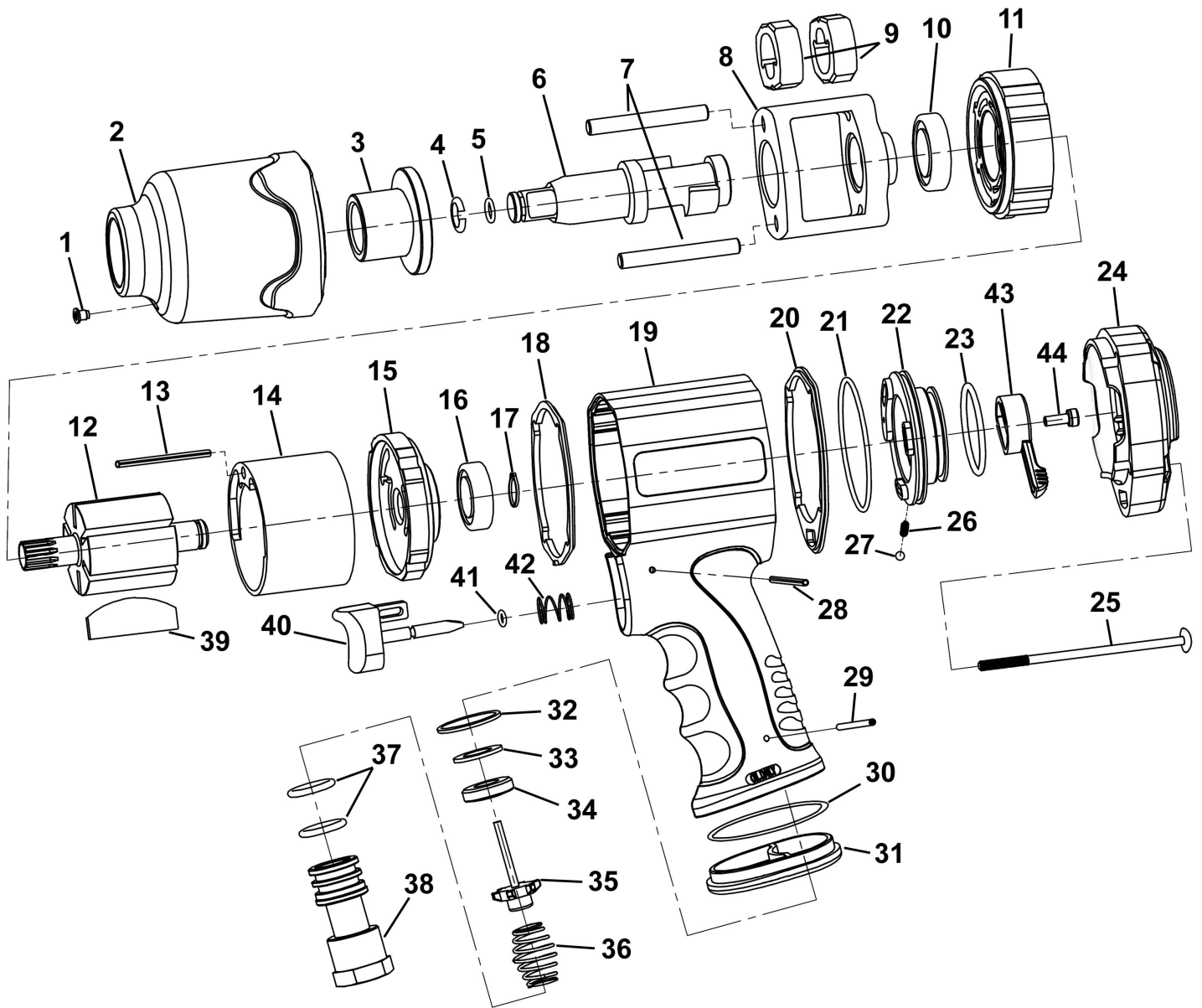




Parts Information:
**Composite Air Impact Wrench 1/2" Sq Drive
Twin Hammer**
Model No: GSA6006.V2



NOTE: It is our policy to continually improve products and as such we reserve the right to alter data, specifications and component parts without prior notice. There may be alternative versions of this product, please contact us should you require this information.

IMPORTANT: No liability is accepted for incorrect use of product. Spare parts must be fitted by a competent person

WARRANTY: Guarantee is 12 months from purchase date, proof of which will be required for any claim.

Sealey Group, Kempson Way, Suffolk Business Park, Bury St Edmunds, Suffolk. IP32 7AR



01284 757500



01284 703534



sales@sealey.co.uk



www.sealey.co.uk



Parts Information:
**Composite Air Impact Wrench 1/2" Sq Drive
Twin Hammer
Model No: GSA6006.V2**

Item	Part No.	Description
1	GSA6006.V2-01	Grease Nipple
2	GSA6006.V2-02	Hammer Case
3	GSA6006.V2-03	Anvil Bushing
4	GSA6006.V2-04	Socket Retainer
5	GSA6006.V2-05	O-Ring (7.5x1.8mm)
6	GSA6006.V2-06	Anvil
7	GSA6006.V2-07	Hammer Pin
8	GSA6006.V2-08	Hammer Cage
9	GSA6006.V2-09	Hammer Dog
10	B/16002ZZ	Bearing 16002zz
11	GSA6006.V2-11	Front Cylinder Plate
12	GSA6006.V2-12	Rotor
13	GSA6006.V2-13	Spring Pin (4x46mm)
14	GSA6006.V2-14	Cylinder
15	GSA6006.V2-15	Rear Cylinder Plate
16	B/6001	Bearing 6001
17	GSA6006.V2-17	Gasket
18	GSA6006.V2-18	Front Seal Gasket
19	GSA6006.V2-19	Motor Housing
20	GSA6006.V2-20	Rear Seal Gasket
21	GSA6006.V2-21	O-Ring (52.7 x 1.8mm)
22	GSA6006.V2-22	Reverse Switch
23	GSA6006.V2-23	O-Ring (34 x 2.4mm)
24	GSA6006.V2-24	Rear End Cap
25	GSA6006.V2-25	Socket Head Cap Bolt M5 x 88.5mm

Item	Part No.	Description
26	GSA6006.V2-26	Steel Ball Spring
27	SB-4.0	Steel ball 4.0mm
28	GSA6006.V2-28	Trigger Pin (2.5 x 2.4mm)
29	GSA6006.V2-29	Spring Pin (2.5 x 30mm)
30	GSA6006.V2-30	O-Ring (3 x 1mm)
31	GSA6006.V2-31	Exhaust Deflector
32	GSA6006.V2-32	Intake Washer
33	GSA6006.V2-33	Intake Gasket
34	GSA6006.V2-34	Throttle Valve
35	GSA6006.V2-35	Throttle Seat
36	GSA6006.V2-36	Throttle Spring
37	GSA6006.V2-37	O-Ring (15 x 2.65mm)
38	GSA6006.V2-38	Air Inlet
39	GSA6006.V2-39	Rotor Blade
40	GSA6006.V2-40	Trigger
41	GSA6006.V2-41	O-Ring (3 x 1mm)
42	GSA6006.V2-42	Trigger Spring
43	GSA6006.V2-43	Direction Lever
44	SCB410.SB	Socket Cap Bolt M4 x 10mm Black
--	GSA6006.V2-A	Hammer Case Kit (Not Shown)
--	GSA6006.V2-B	Anvil Kit (Not Shown)
--	GSA6006.V2-C	Cylinder Kit (Not Shown)
--	GSA6006.V2-D	Housing Kit (Not Shown)
--	GSA6006.V2-E	Rear Cover Kit (Not Shown)

NOTE: It is our policy to continually improve products and as such we reserve the right to alter data, specifications and component parts without prior notice. There may be alternative versions of this product, please contact us should you require this information.

IMPORTANT: No liability is accepted for incorrect use of product. Spare parts must be fitted by a competent person

WARRANTY: Guarantee is 12 months from purchase date, proof of which will be required for any claim.

Sealey Group, Kempson Way, Suffolk Business Park, Bury St Edmunds, Suffolk. IP32 7AR



01284 757500



01284 703534



sales@sealey.co.uk



www.sealey.co.uk